

AQUARIUM IN-TANK POWER FILTER



INSTRUCTIONS IMPORTANT SAFEGUARDS AND WARRANTY

**UL Approved Motor
120V 60 HZ .03A**

For Household Use Only

Children Under 13 Must Be Su-
pervised By An Adult

**FILTER MODEL
ASZEP12-PL**

ISZ-P12PL-GN COPYRIGHT © 2018

Congratulations!

You are now the new owner of the Koller Products In-Tank Filter. It's replacement cartridge is filled with an exclusive blend of resins that will keep the aquarium water clear like no other cartridge can. These instructions will guide you through the easy steps to setup and successfully use your new In-Tank Filter and enjoy clear water and healthy fish.

IMPORTANT SAFETY INSTRUCTIONS

WARNING-To guard against injury, basic safety precautions should be observed, including the following:

A. READ & FOLLOW ALL SAFETY IN- STRUCTIONS

B. DANGER- To avoid possible electric shock, special care should be taken since water is employed in the use of aquarium equipment. For each of the following do not attempt repairs yourself; return the filter to an authorized dealer for service or discard the filter.

1. This filter is designed for indoor use only.
2. Carefully examine the filter before and after installation. It should not be plugged in if there is water on parts not intended to be wet.
3. Do not operate any filter if it has a damaged cord or if it has been dropped or damaged in any manner.
4. To avoid the possibility of the filter plug or receptacle getting wet, position aquarium stand and tank to one side of a wall-mounted outlet receptacle to prevent water from dripping onto the receptacle or plug. A "drip loop" is that part of the cord below the level of the receptacle, (or the connector if an extension cord is used), to prevent water traveling along the cord and coming in contact with the receptacle.

If the plug or receptacle does get wet, **DON'T** unplug the cord. Disconnect the fuse or circuit breaker that supplies power to the filter. Then unplug and examine for presence of water in the receptacle.

C. Close supervision is necessary when any filter is used by or near children.

D. To avoid injury, do not touch moving parts.
E. Always unplug a filter from the outlet when not in use before putting on or taking off parts, and before cleaning. Never yank cord to pull plug from outlet. Grasp the plug and pull to disconnect.

F. Do not use the filter for any other purpose than intended use. The use of attachments not recommended or sold by the filter manufacturer may cause an unsafe condition.

G. Do not install or store the filter where it will be exposed the weather or to temperature below freezing.

H. Make sure a filter mounted on a tank is securely installed before operating it.

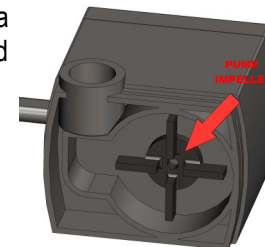
I. Read and observe all the important notices on the filter.

J. If an extension cord is necessary, a cord with the proper rating should be used. A cord rated for less amps or watts than the filter rating may overheat. Care should be taken to arrange the cord so it will not be tripped over or pulled.

K. MAINTENANCE:

Disconnect the power supply to all equipment in the aquarium before putting your hands in the water.

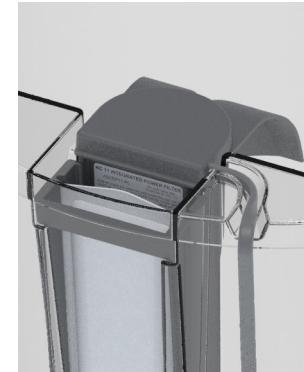
The pump is lubricated by water, it is therefore essential never to operate with a dry filter, this would cause the impeller to wear rapidly.



L. Never clean plastic parts with detergent, solvents or acids.

INSTALLATION

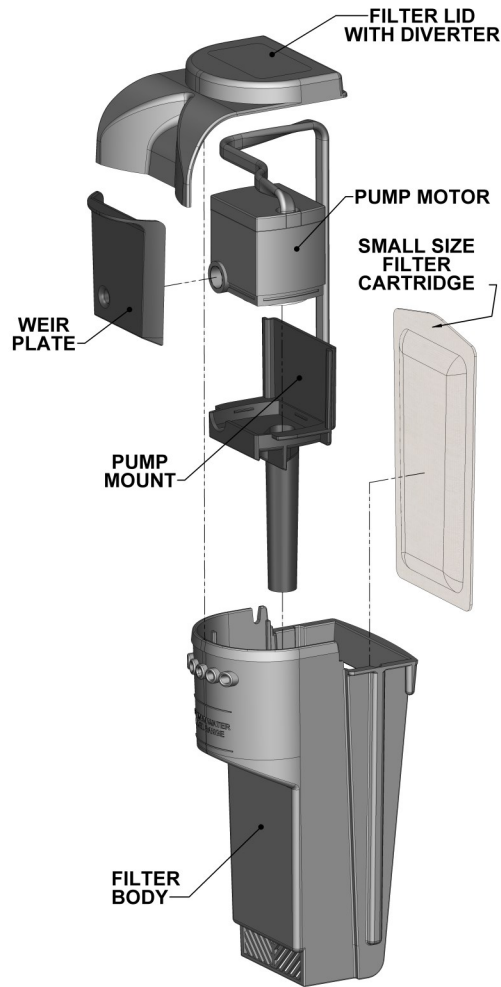
1. Remove the filter from the box and uncoil the cord.
2. Insert the filter assembly into the rear area of the tank body provided per the following illustration.
3. Remove the cartridge and rinse under cool tap water to remove any loose dust. Cartridge does not need to rinse clear.



4. Place the cartridge between the slots in the unit, and slide it all the way down. Make sure the cord is installed properly in the provided wire channel molded into the top of the tank.
5. If your decoration and gravel are in place (refer to aquarium instructions for use) then make sure you have filled the tank with water per those instructions.
6. Plug the power cord into the outlet while maintaining the illustrated drip loop below.



PACKING LIST EXPLODED VIEW

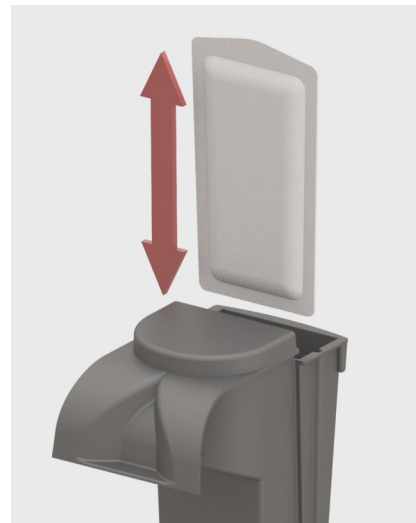


FILTER CARTRIDGE REPLACEMENT

The In-Tank Filter uses Small Size Cartridges.

The cartridge should be changed every 4 weeks or sooner if the water coming from the front ports is diminished due to clogging of the cartridge.

1. Unplug the filter
2. Open the filter access door as shown in the below illustration on the 3, 4.5 or 7 gallon kits. On the 1.5 gallon kit you will need to remove the complete hood.
3. Lift the filter cartridge up to allow water to drain back into the housing.
4. Remove a new cartridge from the package.
5. Rinse the cartridge under cool tap water to remove any loose dust. Cartridge does not have to run clear.
6. Place the cartridge between the slots and push it all the way in the filter housing.
7. Plug the power plug to the filter back in.



TROUBLE SHOOTING

Q. What if the filter stops or doesn't start after a power interruption?

- A.**
1. Unplug the filter.
 2. Make sure the impeller and magnet spin freely on the shaft.
 3. Add water to the filter case and plug in the filter.

Q. What should I do if the priming process doesn't occur?

- A.**
1. It usually takes 30 seconds for the filter to prime.
 2. Make sure all parts are assembled correctly.
 3. Verify the case is filled with water.
 4. Make sure the filter is plugged into a power outlet.

Q. What happens if I forget to replace the cartridge?

- A.**
1. The cartridge will get clogged which will cause water flow to decrease.
 2. Filtration will not be as effective resulting in poor water quality.
 3. Water may turn cloudy.

Q. Flow rate seems unusually low.

- A.** Replace cartridge if clogged.

Q. Water flow stopped.

- A.**
1. Unplug the filter.
 2. Make sure the impeller and magnet spin freely on the shaft.
 3. Add water to the filter case and plug the filter in.

2 YEAR LIMITED WARRANTY

Koller Products will, for the period of one year, repair or replace, free of charge, any part of the equipment that is defective in material or workmanship or both, providing that installation and use of the equipment complies with the instructions in the instruction manual. This warranty is effective for the time period and subject to the conditions stated below.

For warranty service:
please call **800-545-1344** or
Email customercare@kollerproducts.com

THERE ARE NO OTHER EXPRESS WARRANTIES OR IMPLIED WARRANTIES, INCLUDING THOSE OF MERCHANTABILITY OR FITNESS FOR A PARTICULAR PURPOSE. THE ABOVE WARRANTY IS LIMITED TO ONE YEAR FROM PURCHASE. ANY AND ALL IMPLIED WARRANTIES ARE EXCLUDED AND LIABILITY FOR INCIDENTAL OR CONSEQUENTIAL DAMAGES IS EXCLUDED TO THE EXTENT EXCLUSION IS PERMITTED BY LAW. BUYER'S SOLE REMEDY IS THE LIMITED WARRANTY STATED ABOVE. DEPENDING ON THE LAW OF THE STATE WHERE YOU LIVE, THIS EXCLUSION OF IMPLIED WARRANTIES AND OF INCIDENTAL AND CONSEQUENTIAL DAMAGES MAY NOT APPLY TO YOU.

The warranty period begins on the date of purchase by the first retail consumer or end user, and continues for the period of time stated above.

To Contact Customer Service:

E-Mail

customercare@kollerproducts.com

Phone

800-545-1344

Model 3MXD aquarium pump is recognized under UL File E314293. Finished product has not been certified by UL.